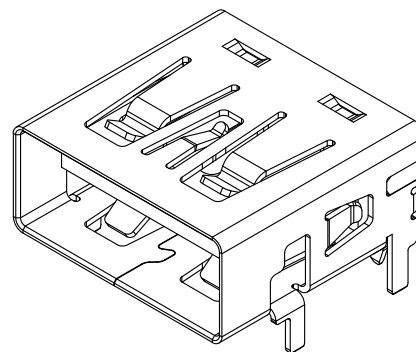
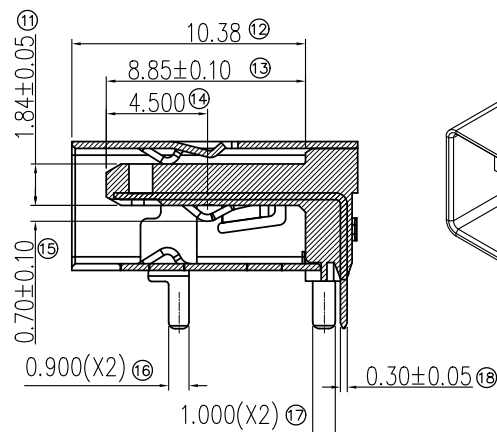
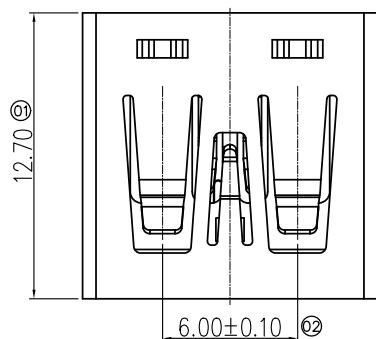
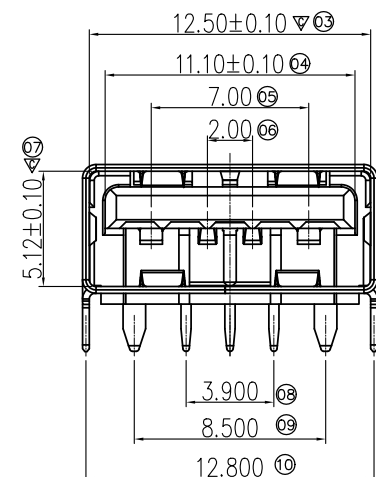


ABIDE BY RoHS, MEETS PT ENVIRONMENTAL Q3-7584

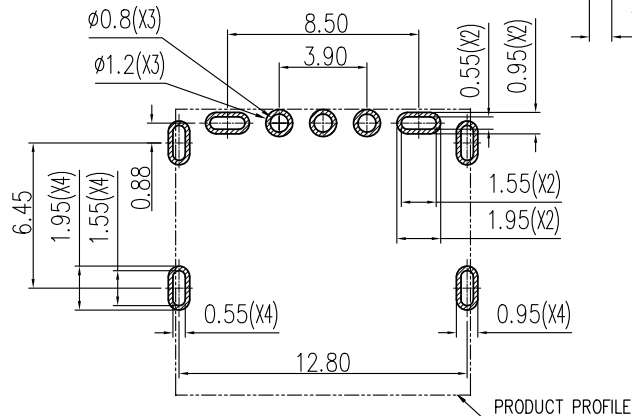
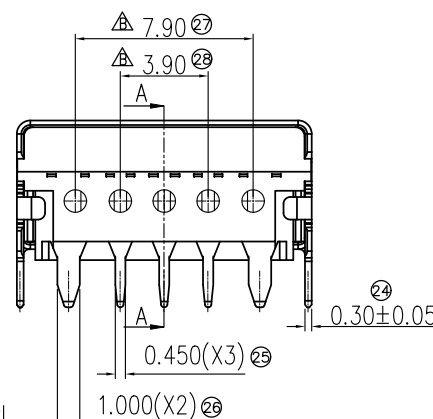
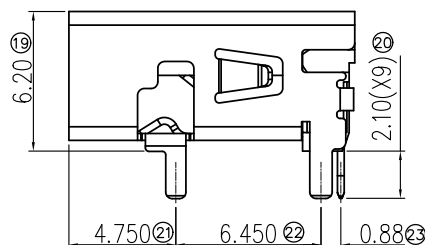
REV.	DESCRIPTION	ECN NO.	NEW DESIGNER
A	NEW RELEASE		Liuli 2017.03.16
B	ADD THE TOP AND IMPROVE THE LACK OF GLUE		Liuli 2017.06.07



NOTES:
 1. MATERIALS:
 SHELL: STAINLESS STEEL, T=0.30mm;
 MATERIAL: THERMOPLASTIC, UL94-V0, GREEN;
 CONTACT: HIGH-CONDUCTIVITY COPPER ALLOYS, T=0.30mm;
 2. PLATING:
 CONTACT: 50u" Min. NICKEL UNDERPLATING OVERALL;
 PLATED GOLD 15u" Min. ON CONTACT AREA,
 OR REFERENCE PART NO. CODE;
 PLATED GOLD 1u" Min ON SOLDER AREA;
 SHELL: PLATED NICKEL OVERALL;
 3. DIMENSIONAL TOLERANCE:
 NOT SPECIFIED TOLERANCE, COMPLIED TO THE GENERAL TOLERANCE;
 CONTROL DIMENSIONS INDICATED FORM "▽", MUST BE INSPECTED BY QC;
 4. ELECTRICAL CHARACTER:
 LOW LEVEL CONTACT RESISTANCE: 30mΩ Max.;
 INSULATION RESISTANCE: 1000MΩ Min.;
 DIELECTRIC WITHSTANDING VOLTAGE: 500 VAC;
 CONTACT CURRENT RATING: 8A Max
 5. MECHANICAL CHARACTER:
 INSERTION FORCE: 35N(3.6kgf) Max.;
 EXTRACTION FORCE: 10N(1.02kgf) Min.;
 DURABILITY: 6000 CYCLES
 6. SALT SPRAY TEST: 48 HOURS MIN.
 7. IR REFLOW CONDITION PEAK TEMPERATURE: 260°C-10S, (THIS ITEM APPLY TO HIGH-TEMPERATURE MATERIAL, EG. LCP, PA6T, PA9T, PA10T, ETC.);
 PART NO. CODE:
 U3A158 - 5 * - * *



SECTION A-A
SCALE: 1:1



RECOMMENDED PCB LAYOUT, T=1.60mm
TOLERANCE: ±0.05mm

PRODUCT PROFILE

- U3A158 - 5 * - * *
 ① SERIES:
 USB 3.0 CONNECTOR, SINGEL DECK RIGHT ANGLE (12.70) DIP TYPE 5PIN
 ② POSITIONS:
 5: 5 POSITIONS
 ③ COLOR OF HOUSING:
 K: BLACK
 W: WHITE
 G: GREEN
 ④ CONTACT PLATED:
 1: PLATED Au 1u" MIN
 2: PLATED Au 3u" MIN
 3: PLATED Au 10u" MIN
 4: PLATED Au 15u" MIN
 5: PLATED Au 30u" MIN
 ⑤ ENVIRONMENT:
 0: RoHS
 H: HALOGEN FREE
 ⑥ WAY OF PACKING:
 T: TRAY
 R: TAPE & REEL
 B: WATERPROOF BAG
 U: TUBE

GENERAL TOLERANCE		ANGLE TOLERANCE		NAME (INTENDED USE):					
X.	±0.38	X."	±2.0°	CUSTOMER DRAWING					PALCONN TECHNOLOGY CO., LTD.
.X	±0.25	.X'	±1.0°	PART NO. CODE:		TITLE:			
.XX	±0.20	.XX"	±0.5°	U3A158-5**-**		USB 3.0 CONNECTOR, SINGEL DECK RIGHT ANGLE (12.70) DIP TYPE 5PIN			
.XXX	±0.15			MAJOR (QC CHECKED)	SCALE: 1:1	APPROVED:	SERIES:	USB 3.0 SERIES	SIZE: A4
				▽= 0 places					
				CRITICAL:	UNIT: mm	CHECKED:	DRAWING NO.:	C-U3A158-0S	REV.: B
				▽= 2 places					
				SHEET 1 OF 1	DESIGN:				